

Net/X™ UP32

Universal
Programmable Communicating
Thermostat

with
Advanced Remote Sensor Bus



www.networkthermostat.com

TABLE OF CONTENTS

Introduction.....	2
Standard Features.....	2
Button Operations.....	3
Thermostat Locations.....	3
Removing The Thermostat From The Backplate.....	4
Description Of The Dip Switch Functions.....	5
Features And Settings.....	6-7
Cover Lock.....	7
Replacing The Thermostat On The Backplate.....	7
Button Press Combinations.....	8
Temperature Override.....	9
Vacation Override.....	9
Changing Fahrenheit (°F) To Celsius (°C).....	10
Changing 12 Hour Time To 24 Hour Time.....	10
Power Failures.....	10
Remote Sensors (Optional).....	10
Programming The Thermostat.....	10-11
Wiring Diagrams.....	11-20
Specifications.....	21
Sensor Faults.....	21
Description Of Icons.....	22-23
Display.....	23
Warranty.....	23-24

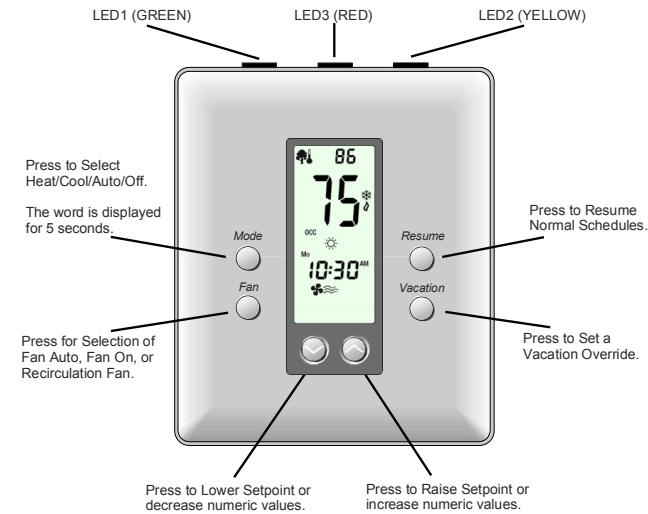
INTRODUCTION

The UP32 Communicating Programmable Thermostat represents the most advanced solid-state, microcomputer temperature control on the market today. The thermostat incorporates state-of-the-art technology packaged in an extremely low profile designer series case. Integrated with the Net/X™ XBus communications port, the UP32 is positioned to allow either wired (XBus), wireless StrongMesh™ (802.15.4), Wi-Fi (802.11), or wired Ethernet (10/100Mbps) set up & communications. The Ultra-Touch push-buttons are combined with an easy-to-read, blue backlit full function liquid crystal display to provide the ultimate in user friendly operation of your heating and air conditioning, including gas, electric, oil and heat pump controls.

STANDARD FEATURES

- No batteries required – always remembers scheduled events and temperatures
- Computerized heat anticipation and cooling drop
- Intelligent Fuzzy Logic staging for efficient operation of equipment, including auxiliary heat
- Built-in short cycle equipment protection during normal operation
- Tamper proof electronic keyboard lockout with programmable override ranges
- Automatic, manual and recirculation fan operation
- Auto or manual heat/cool changeover
- Vacation hold feature allows extended override with return day and time
- Temporary schedule override with automatic schedule return
- Selectable 12 or 24 hour clock display (Communication Interface only)
- Selectable Fahrenheit or Celsius temperature display
- Up to 10 Remote Sensors types can be added:
 - NT-TEMP (indoor) (up to 6)
 - NT-TEMP + NT-OUTDOOR (outdoor)
 - NT-HUM (temp & humidity)
 - NT-TEMP + Aux Sensor [Aux 1 – Aux 7]
 - AVAILABLE PROBES FOR NT-TEMP
 - NT-OUTDOOR (weatherized)
 - NT-PROBE (stainless steel w/box)
 - NT-H2O (water sensing)
- Occupancy Sensor Inputs (use NT-OSC or NT-OSW)
- Two (2) Digital Inputs with LED Indicators

BUTTON OPERATION



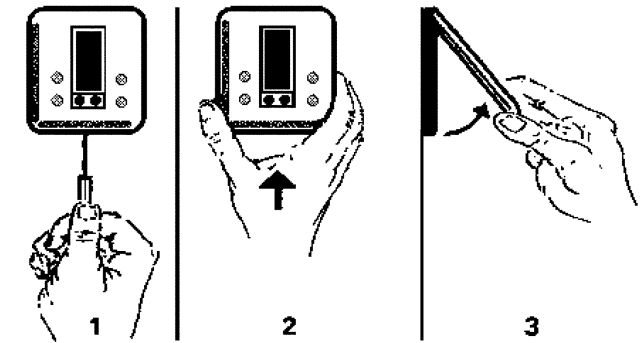
THERMOSTAT LOCATION

To ensure proper operation, the thermostat should be mounted on an inside wall in a frequently occupied area of the space. In addition, its position must be at least 18" (46 cm) from any outside wall, and approximately 5', (1.5 m) above the floor in a location with freely circulating air of an average temperature.

Be sure to avoid the following locations:

- Behind doors or in corners where freely circulating air is unavailable
- Where direct sunlight or radiant heat from appliances might affect control operation
- On an outside wall
- Adjacent to, or in line with, conditioned air discharge grilles, stairwells or outside doors
- Where its operation may be affected by steam or water pipes or warm air stacks in an adjacent partition, or by any unheated / uncooled area behind the thermostat
- Where its operation may be affected by lighting dimmers next to it
- Where its operation will be affected by the supply air of an adjacent unit
- Near sources of electrical interference such as arcing relay contact

REMOVING THE THERMOSTAT FROM THE BACKPLATE



1. Insert a flat blade screwdriver or coin 1/8" into the slot located in the bottom center of the thermostat case and twist 1/4 turn. When you feel or hear a click, grasp the case from the bottom two corners and separate from the backplate as shown in the diagram at the left. Some models require more force than others when separating due to the number of terminals used.
 2. Swing the thermostat out from the bottom.
 3. Lift the thermostat up and off the backplate.
 4. Place the rectangular opening in the backplate over the equipment control wires protruding from the wall and, using the backplate as a template, mark the location of the two mounting holes
- NOTE:** There are several versions of the UP32 thermostat (Wi-Fi, Ethernet, XBus and StrongMesh™). The wiring instructions for the equipment are identical.
5. Use the supplied anchors and screws for mounting on drywall or plaster; drill two 3/16" (5mm) diameter holes at the marked locations; use a hammer to tap the nylon anchors in flush to the wall surface and fasten backplate using the supplied screws. (Do not over tighten!)
 6. Connect the wires from your system to the thermostat terminals as shown in the wiring diagrams. Carefully dress the wires so that any excess is pushed back into the wall cavity or junction box. Ensure that the wires are flush to the plastic backplate. The access hole should be sealed or stuffed to prevent drafts from affecting the thermostat.
- NOTE:** This product must be supplied from a UL/CSA LISTED Class 2 power supply. Operation from other supplies may result in a potential fire risk.

DESCRIPTION OF THE DIP SWITCH FUNCTIONS

DIP Switch 1: GE/HP Operation

Place DIP Switch 1 in the OFF position for Gas/Electric furnace operation.

Place DIP Switch 1 in the ON position for Heat Pump operation.

DIP Switch 2: Adaptive Setpoint Recovery

Place DIP Switch 2 in the OFF position for Adaptive Setpoint Recovery operation. When this is enabled, the thermostat will anticipate when to turn on the heating or cooling system prior to the start of a schedule in order to achieve the desired setpoint temperature by the beginning of the schedule.

DIP Switch 3: 2 Minute or 4 Minute Minimum On/Off Times

When DIP Switch 3 is in the ON position, the minimum ON/OFF time is 2 minutes. The system will operate for a minimum of 2 minutes or 4 minutes, and allow equipment recovery for 2 or 4 minutes before turning on again. This is also known as short cycle protection.

DIP Switch 4: Unlocked/Locked Keypad

When DIP Switch 4 is in the ON position, all buttons are disabled with the exception of the UP, DOWN and MODE button. Users will be restricted to either a +/-3°F or +/-5°F range from the scheduled setpoints as defined by Dip Switch #7 for the programmed override time. Users will still be able to cycle between HEAT and COOL.

DIP Switch 5: Plenum Fan Switch /Add-On Heat Pump

DIP Switch 5 is used to determine when the fan needs to be turned on.

Place DIP Switch 5 to OFF and DIP Switch 1 to OFF to have the fan turn on immediately when there is a call for heat. (Required with electric heat.)

Place DIP Switch 5 to ON and DIP Switch 1 to OFF to have the plenum switch operate the fan.

Place DIP Switch 5 to OFF and DIP Switch 1 to ON for normal heat pump operation.

Place DIP Switch 5 to ON and DIP Switch 1 to ON for Add-On (Dual-Fuel) Heat Pump operation.

DIP Switch 6 :

Multi-Stage System Operation Place DIP Switch 6 to OFF position for single-stage applications. (single-stage compressors and heaters)

Place DIP Switch 6 to ON position for multi-stage applications. (two-stage compressors and heaters)

DIP Switch 7 : Temporary Override Adjustment Range

Place DIP Switch 7 to OFF to limit temporary adjustments to +/- 3°F.

Place DIP Switch 7 to ON limit temporary adjustments to +/- 5°F.

DIP Switch 8 : Remote Sensor Operation

Place DIP Switch 8 to OFF to only use the remote indoor sensor for temperature control.

Place DIP Switch 8 to ON to average the thermostat's internal sensor with the remote indoor sensor(s).

NOTE: If no remote sensor is used, the thermostat will default to the thermostat sensor regardless of the DIP switch setting.

FEATURES AND SETTINGS

LED #1 (GREEN): Filter Indicator

This LED will illuminate when a signal is received from Terminal LED1 on the Terminal block. The Green (left) LED at the top of the thermostat and if selected by the software, the FILTER icon in the display will turn on. This indicates the filter needs to be changed.

LED #2 (YELLOW): Service Indicator

This LED will illuminate when a signal is received from Terminal LED2 on the Terminal block. This terminal is usually connected to the L terminal on a Heat Pump. When a signal is received, the yellow (right) LED at the top of the thermostat will turn on and if selected by the software, the WRENCH icon in the display will turn on. This indicates service is required.

LED #3 (RED): Auxiliary/Emergency Heat Indicator (no associated screw terminal)

The thermostat is equipped with an LED that indicates when the system has engaged auxiliary heat mode or emergency heat mode. It is the red (center) LED.

RS1 – RS2 – RS+V: Remote Sensor Bus

Used for connection of a wide variety of Net/X™ remote sensors, allowing installation flexibility and additional information from the communications bus. It also allows the thermostat to be placed in an area away from view.

Add-On (Dual-Fuel) Heat Pump Control

If needed, the thermostat will perform the function of a fossil fuel kit. When in this mode, the thermostat will turn off the compressor with a call for AUX heat. When Switch 1 and Switch 5 are in the ON position, the thermostat allows the compressor and the AUX heat to be on simultaneously.

Random Restart

After a power failure, the thermostat will delay the heating/ cooling equipment start-up by 8-40 seconds. When multiple Net/X™ UP32 thermostats are used, this minimizes the 'in rush' current (electric power usage) as it reduces the number of HVAC units that will be turned on simultaneously.

High & Low Balance Point Configuration

If the thermostat is being used as a Heat Pump thermostat (Dip Switch #1 in the ON position and Weather current condition is enabled or an outdoor sensor is connected to the remote sensor terminals, the thermostat can be configured to disable the use of auxiliary heat during warmer weather and to lock out the compressor during colder weather.

To display/set the High and Low balance points:

1. Press RESUME and VACATION together to show the outdoor temperature.
2. Press and hold the MODE and RESUME buttons for 5 seconds to evoke the High and Low balance point temperatures.

The display will indicate the high or low balance point and the selected temperature. Press the UP or DOWN button to adjust the balance point temperature. Pressing the MODE button again will toggle to the alternate balance point.

NOTE: Refer to the heat pump equipment manual for temperature cut-offs on the equipment.

FEATURES AND SETTINGS, continued

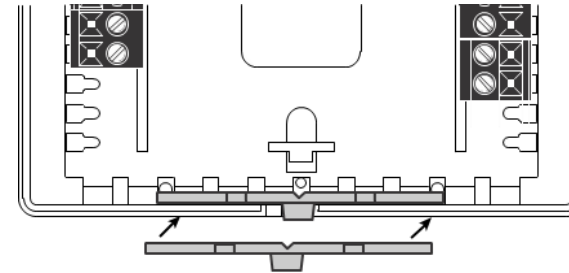
Override Timer Configuration

You will be able to adjust the length of a temporary override condition from 0 minutes to 24 hours, in 10 minute increments. The default override time is 8 hours. To display/set the Override time, press the MODE and VACATION buttons simultaneously, then press the UP or DOWN button. Future 'overrides' to the schedule will hold the setpoint for the desired time and then return to the pre-programmed sequence.

Temperature Calibration (De-calibration)

The thermostat is pre-calibrated at the factory, but in some installations, lack of airflow at the sensor or proximity to other warming or cooling source may cause the temperature to be off by a few degrees. To adjust the room temperature reading (with or without a remote indoor sensor connected), press and hold the Fan button for 12 seconds. The display will then show the room temp with 0.06 degree resolution. Press the UP or DOWN button to make the adjustment. Press the RESUME button to store the new value. To restore the thermostat to factory calibration, while in calibration mode, press the MODE button to reset and then the RESUME button to store.

COVER LOCK



You also may lock the cover down to prevent unauthorized access to the thermostat by adding the clear plastic lock (included in the installation bag). To install, remove the thermostat from the backplate and place the clear plastic lock in the backplate as shown below. Replace the thermostat and close the cover. The cover now is locked. To open, simply use a screwdriver to carefully push the lock back, allowing the cover to open. To remove the lock, open the cover, remove the thermostat from the backplate, and then remove the lock.

REPLACING THE THERMOSTAT ON THE BACKPLATE

1. Position the thermostat on the hinged tabs located at the top of the backplate.
2. Gently swing the thermostat down and press on the bottom center edge until it snaps in place.

BUTTON PRESS COMBINATIONS

Single Press

- **MODE** Changes from COOL to HEAT to AUTO to EMERGENCY HEAT to OFF.
- **FAN** Sets the fan ON (continuous), or AUTO (operates with the equipment), or CIRC (recirculation) can be controlled via software.
- **RESUME** Cancels Temporary or Vacation overrides and resumes normal operating schedule.
- **VACATION** Starts the Vacation (or extended) override.
- **UP** Increments the blinking numerical or icon segments of the display.
- **DOWN** Decrements the blinking numerical or icon segments of the display.

Multi-Press

- **UP & DOWN** Toggles between °F and °C.
- **RESUME & VACATION** Displays Remote Sensor values in the upper display. Press both, then press UP or DOWN to rotate through the available sensors.
- **FAN & VACATION** Changes backlight setting. On, dim or off. (After 15 seconds of inactivity)
- **MODE & VACATION** Changes the Override Timer. Press both, then press UP or DOWN to change the override time from 0 minutes to 24hrs in 10 minute increments

PRESS & HOLD (12 seconds unless stated otherwise)

- **MODE** Resets the thermostat to factory defaults. Press and hold the MODE button to show the number of resets. Press the MODE button a second time to reset the defaults. NOTE: All schedules will be reset
- **FAN** Enters thermostat sensor de-calibration mode. Allows a temperature offset of up to +/-6°F. To remove the de-calibration, press and hold the MODE button.
- **MODE & FAN** Enter address mode to change the thermostat address (XBus & StrongMesh™ only)
- **MODE & RESUME** Allows for adjustment of High and Low balance points when displaying outdoor temperature (hold for 5 seconds). NOTE: There must be either weather service enabled or an outdoor sensor attached for this feature to be available.

TEMPERATURE OVERRIDE

Temporary Override (0 minutes to 24 hours)

Change the temperature setting temporarily without affecting the schedules, both occupied and unoccupied.

- Press the UP or DOWN buttons. The current schedule temperature and mode of operation will be displayed.
- Press the UP or DOWN buttons again to adjust the temperature within the minimum and maximum range. This temperature will be maintained for the pre-programmed amount of time.
- To cancel, simply press the RESUME button.

Temporary Override with Keyboard Locked (0 minutes to 24 hours)

Change the temperature setting temporarily without affecting the schedules, even though the keypad is locked.

- Press the UP or DOWN buttons. If running an OCCUPIED schedule, the current occupied setpoint will be shown, and if running an UNOCCUPIED schedule the thermostat will revert to the most previous OCCUPIED schedule setpoints.
- Press the UP or DOWN buttons again to adjust the temperature +/-3°F or +/-5°F degrees for the duration of the override time.
- To cancel, simply press the RESUME button.

VACATION OVERRIDE

A Vacation Override may be set from 0 - 365 days from the front panel. To set a Vacation Override:

1. Press and release the VACATION button.
2. Press the UP or DOWN button to set the number of days until returning. The Day of Week icons will cycle with each press of the UP or DOWN button, indicating the return day.
3. Press and release the VACATION button again. The display will change to 12: with PM blinking.
4. Press the UP or DOWN button to set the planned hour you are returning.
5. Press the VACATION button again. The display will change to :00 blinking.
6. Press the UP or DOWN button to set the minutes in 10 minute increments.
7. Press the VACATION button to accept the hold program.
8. Use the MODE button to select the Mode (Heat, Cool, Auto, Off) during the Vacation Override.
9. Use the UP and DOWN buttons to set the desired Heating and Cooling setpoints for use during the Vacation override.

NOTE: Steps 8 and 9 may be performed either before or after setting the Vacation Override.

CHANGING FAHRENHEIT (°F) TO CELSIUS (°C)

To change between °F and °C, simultaneously press the UP and DOWN buttons. The display will change automatically.

CHANGING 12 HOUR TIME TO 24 HOUR TIME

This thermostat is preset to display the standard 12 hour time format. You may change the display to the 24 hour time format. NOTE: This feature is available through the communications interface.

POWER FAILURES

This Net/X™ thermostat product will maintain the program settings during any type of power failure. If power fails, AC will be displayed for 30-45 minutes. Afterwards, the display will go blank. If power is restored before this time, the thermostat will resume normal operation. If power is restored after afterwards, 12:00 AM will flash, and the thermostat will operate as a manual thermostat until the clock is reset. Once the clock is reset, the thermostat will resume the normal programmed operation.

REMOTE SENSORS (OPTIONAL)

If your Net/X™ thermostat has been installed with one or more Net/X™ remote sensors, the sensor information is available on the small secondary display of the thermostat. There are many different remote sensor options. See the networkthermost.com website for more information. You can view the remote sensor information by simply pressing and holding the RESUME and VACATION buttons simultaneously, and then use the UP or DOWN button to view the various sensors.

PROGRAMMING THE THERMOSTAT

This Net/X™ thermostat product has factory default programs as indicated below. Based on energy saving guidelines and recommendations for residential use, and these settings can reduce heating/cooling expense by as much as 33%.

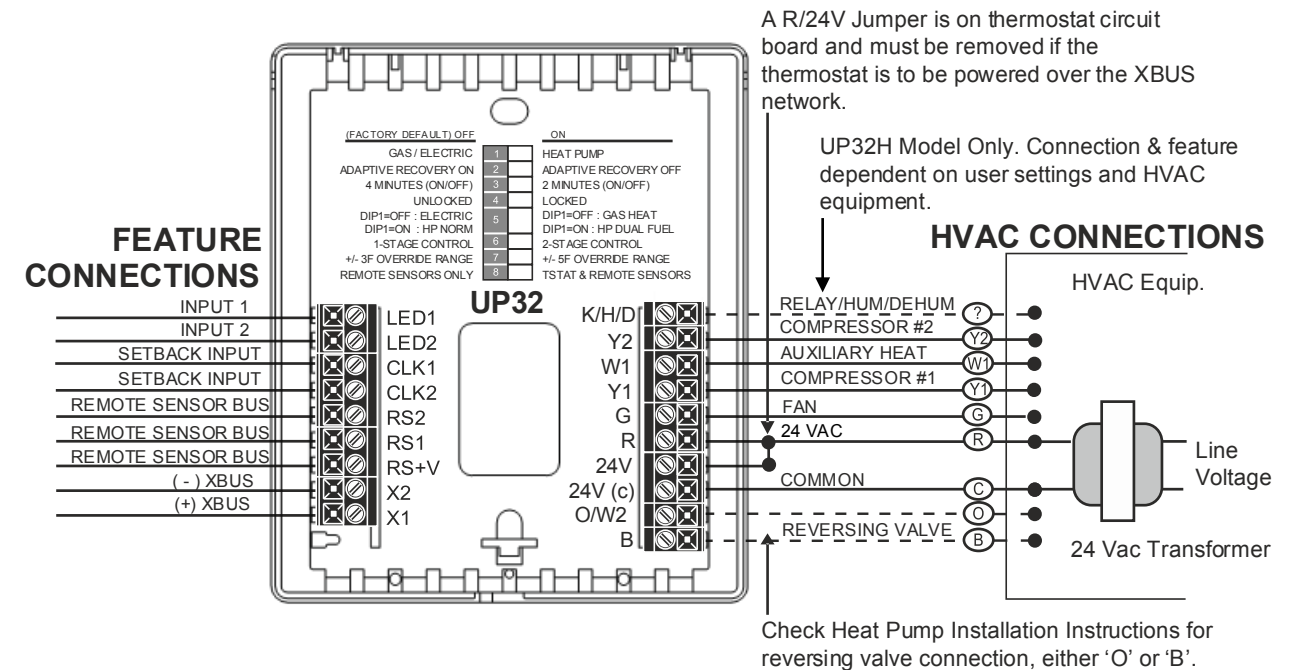
Default Schedules	Heat (Mon-Fri)	Cool (Mon-Fri)	Heat (Sat-Sun)	Cool (Sat-Sun)
Morning (Schedule 1)	70°F	78°F	70°F	78°F
	21°C	25°C	21°C	25°C
Day (Schedule 2)	62°F	82°F	62°F	82°F
	17°C	28°C	17°C	28°C
Evening (Schedule 3)	70°F	78°F	70°F	78°F
	21°C	25°C	21°C	25°C
Night (Schedule 4)	62°F	75°F	62°F	75°F
	17°C	24°C	17°C	24°C

PROGRAMMING THE THERMOSTAT, continued

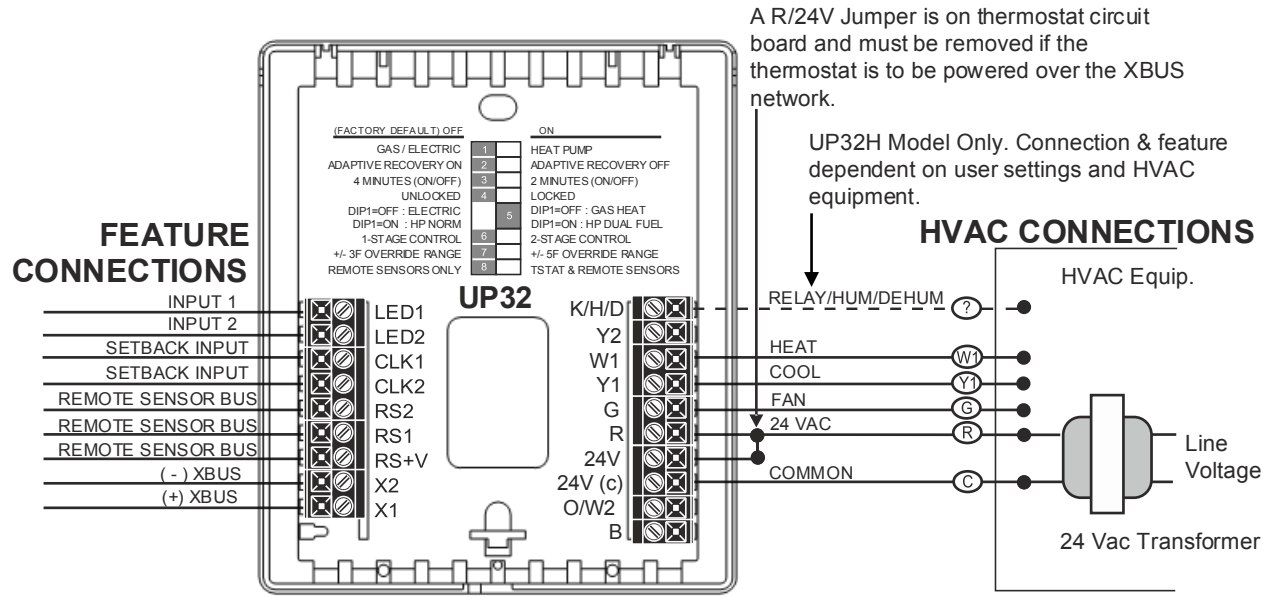
This thermostat is intended to be used as a Communicating Programmable Thermostat, with changes to the thermostat schedules accomplished over a computer interface via:

1. Personal computer using the Net/X-IP™ Command Center software.
2. Any PC, Mac or smart mobile device using Internet Explorer, Chrome, Safari or Firefox web browsers (allows use of the integrated web server in the WBM-WiFi or WBM-IP backplate).
3. Custom software using the Net/X™ ASCII protocol, allowing integration into any application.
4. The NT-BAS BACnet or NT-LON Echelon Interfaces

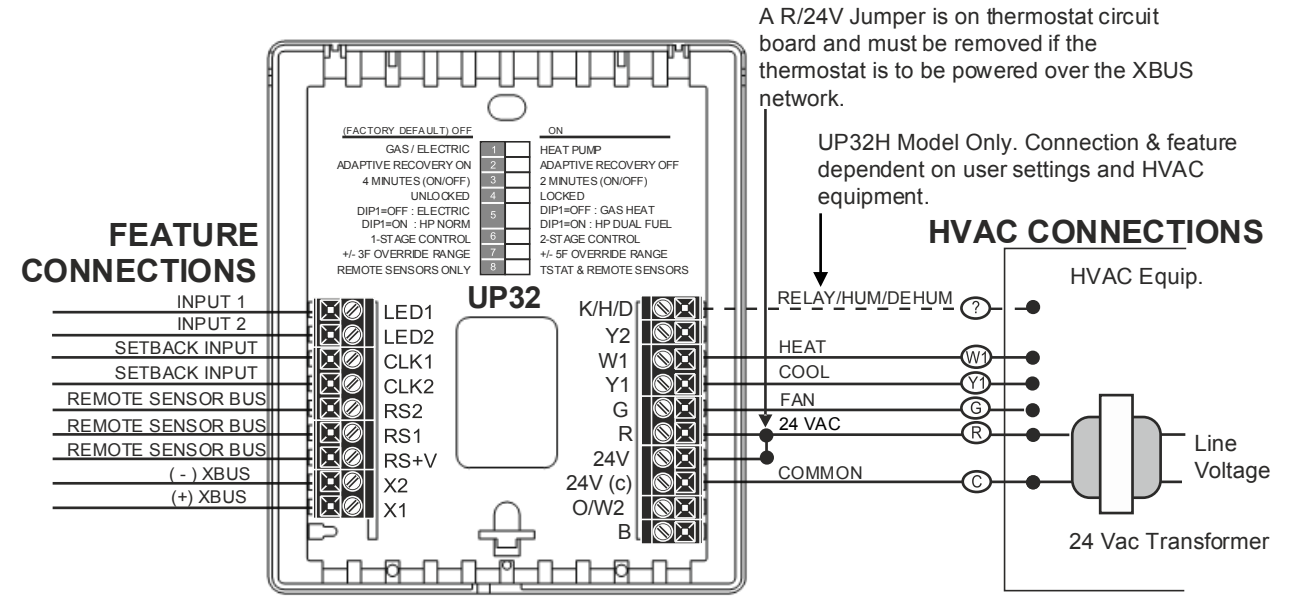
EQUIPMENT WIRING DIAGRAM : UP32x-xx General Connections



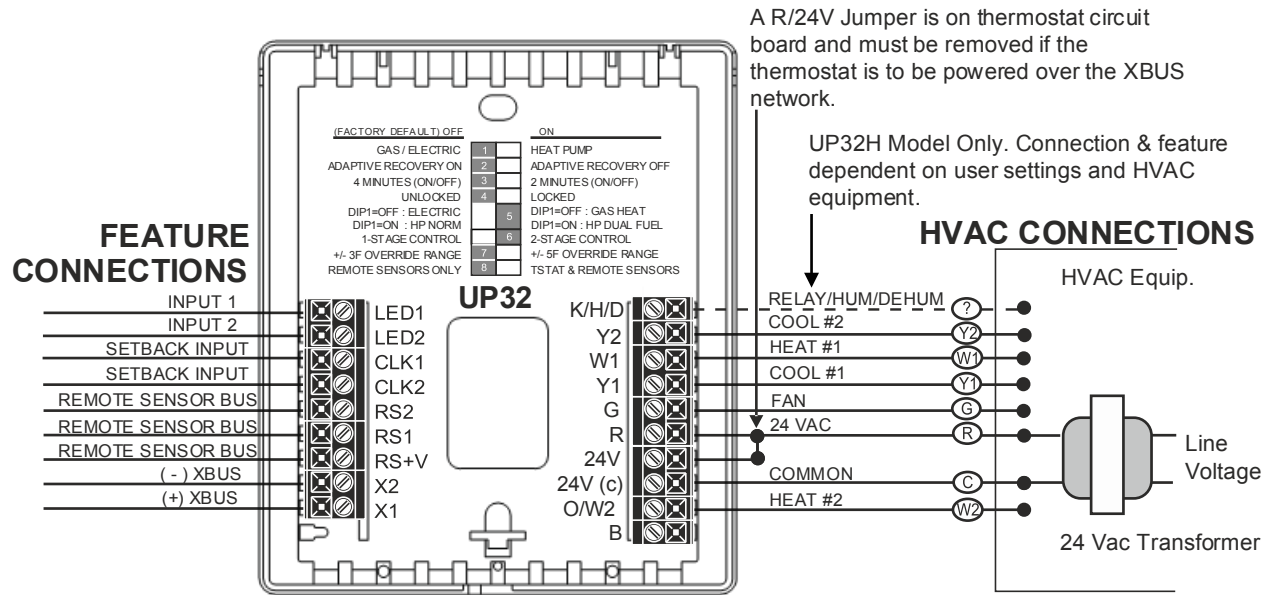
EQUIPMENT WIRING DIAGRAM : UP32x-xx 1-Stage Gas Furnace & Air Conditioning



EQUIPMENT WIRING DIAGRAM : UP32x-xx 1-Stage Electric Furnace & Air Conditioning



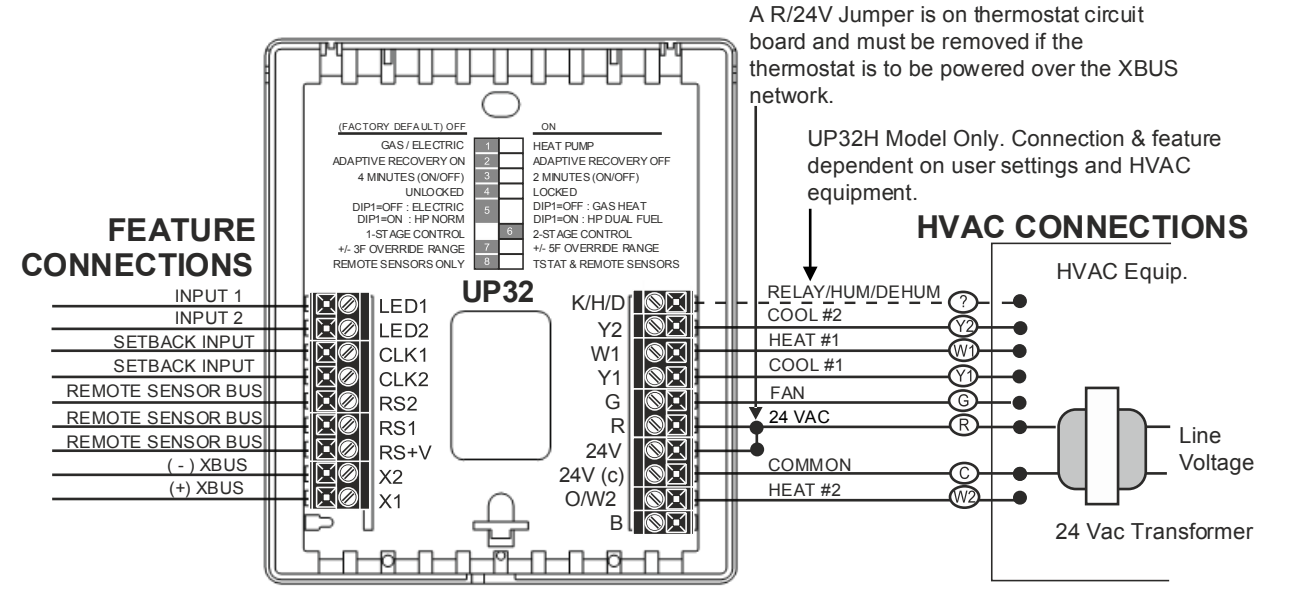
EQUIPMENT WIRING DIAGRAM : UP32x-xx 2-Stage Gas Furnace & Air Conditioning



13

14

EQUIPMENT WIRING DIAGRAM : UP32x-xx 2-Stage Electric Furnace & Air Conditioning

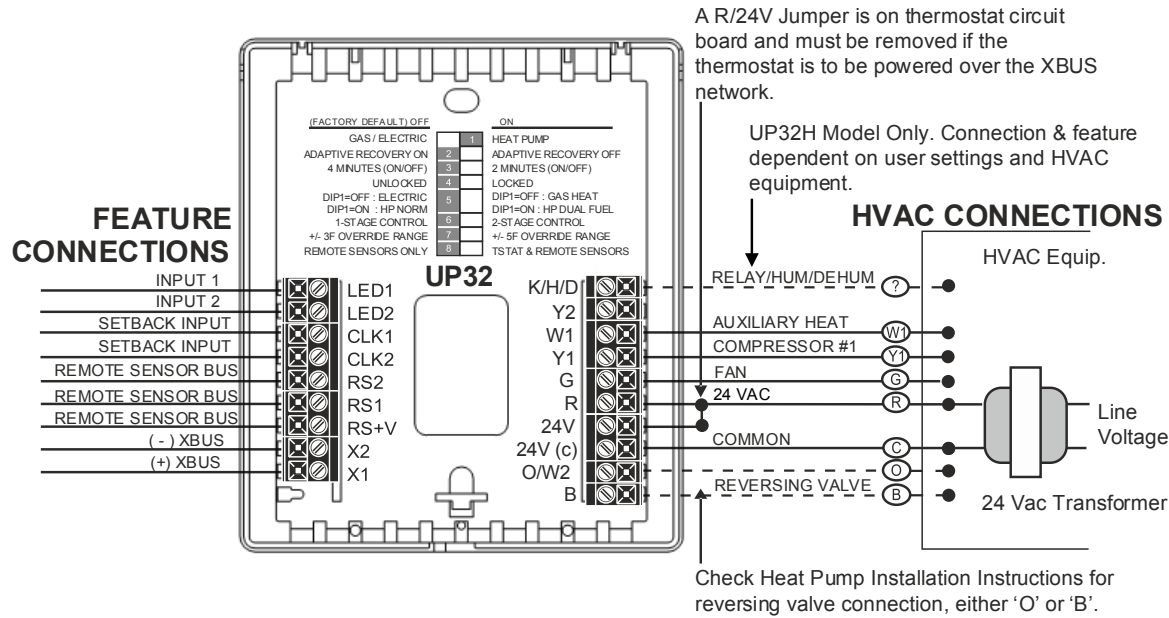


15

16

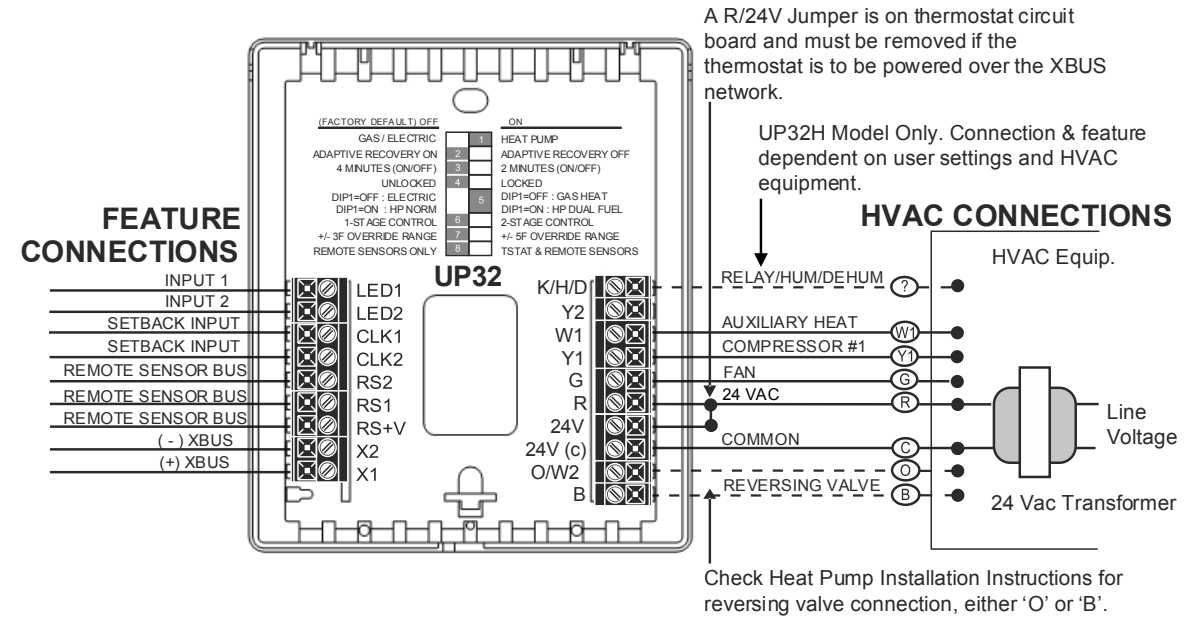
EQUIPMENT WIRING DIAGRAM : UP32x-xx

1-Stage Heat Pump, Standard Operation



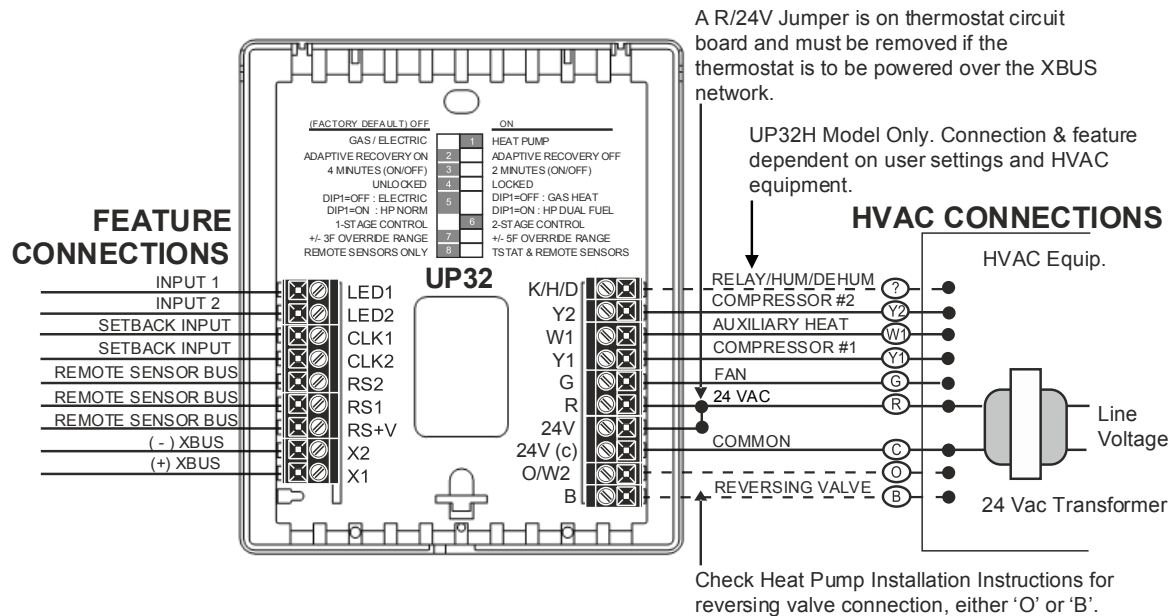
EQUIPMENT WIRING DIAGRAM : UP32x-xx

1-Stage Heat Pump, Add-On (Dual Fuel) Operation



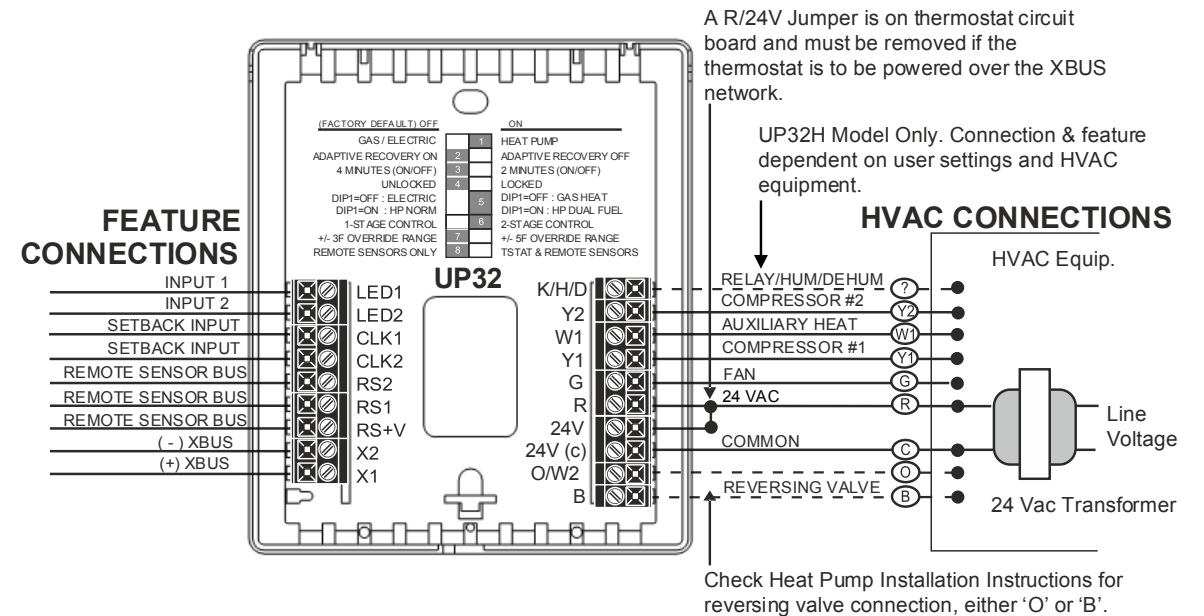
EQUIPMENT WIRING DIAGRAM : UP32x-xx

2-Stage Heat Pump, Standard Operation



EQUIPMENT WIRING DIAGRAM : UP32x-xx

2-Stage Heat Pump, Add-On (Dual Fuel) Operation



SPECIFICATIONS

Rated Voltage	20-30 VAC, 24 nominal
Rated A.C. Current	0.050 Amps to 0.75 Amps continuous per output with surges to 3 Amps Max
Rated D.C. Current	0 Amps to 0.75 Amps continuous per output with surges to 3 Amps Max
Control Range	Heating: 38° to 88°F in 1° Steps (3° to 31°C in 1° Steps) Cooling: 60° to 108°F in 1° Steps (16° to 42°C in 1° Steps)
Thermostat Measurement Range	32° to 118°F (0° to 48°C)
O.D.T Displayed Range	-54° to 118°F (-48° to 48°C)
Control Accuracy	± 1°F at 68°F Accuracy (±0.5°C at 20°C Accuracy)
Minimum Deadband	2°F (1°C) (between heating and cooling)

NOTE: This thermostat contains electronic circuitry replacing the conventional mechanical anticipator

SENSOR FAULTS

There are four distinct sensor faults:

1. Internal sensor is shorted.
2. Internal sensor is open.
3. A remote indoor sensor is shorted.
4. A remote indoor sensor is open.

When the internal sensor is shorted [the sensed temperature $\geq 124^\circ\text{F}$ (48°C)], all equipment is turned off and the following icons are flashed on the LCD:



When the internal sensor is open [the sensed temperature $\leq 32^\circ\text{F}$ (0°C)], all equipment is turned off and the following icons are flashed on the LCD:



An open condition is ignored for the first 20 minutes after powering the thermostat to allow the equipment to heat the surrounding environment. This will avoid premature deactivation of the equipment if the ambient temperature should happen to be below 32°F (0°C).

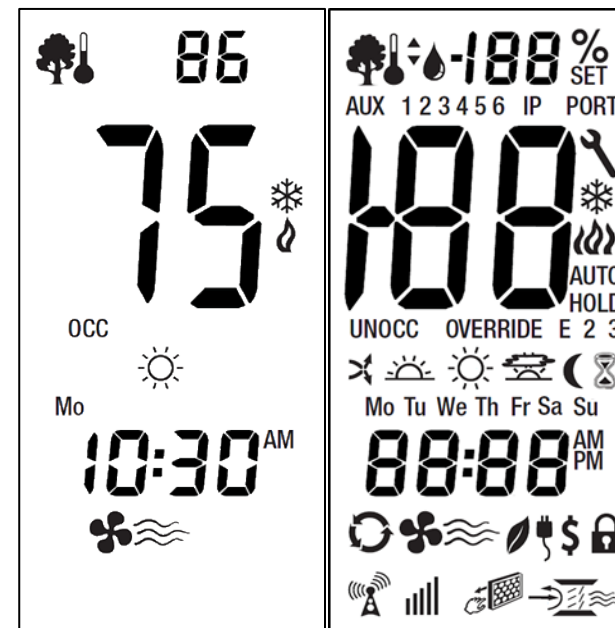
DESCRIPTION OF ICONS

	Secondary Display All Segments		Adaptive Recovery
	Heating or Cooling Setpoint		Keypad Locked
	Remote Indoor Temperature		Fan Recirculation
	Indoor Humidity		Cooling = Snowflake (blinking is active)
	Outdoor Temperature		Heating = Flame (flickering is active)
	Outdoor Humidity		Both with AUTO = Auto Mode
	Any of the auxiliary remote sensors, as assigned by software		Either with 2 = 2nd stage active
	Fault		E with Heating = Emergency heat (Heat Pump)
	Filter		OVERRIDE Displayed when schedule override is active
	Fan		OCC UNOCC Either OCC or UNOCC is displayed depending on active schedule
	Cooling = Snowflake (blinking is active)		Indicates the current schedule Morning, Day, Evening or Night
	Heating = Flame (flickering is active)		Day of the Week
	Both with AUTO = Auto Mode		Time in 12 or 24hr format. Flashes 12:00 if clock is not set
	Either with 2 = 2nd stage active		Indicates network connection & signal strength of wireless network
	E with Heating = Emergency heat (Heat Pump)		Adhoc network
	OVERRIDE Displayed when schedule override is active		Damper Indication Open / Close

DESCRIPTION OF ICONS, continued

	5 second display when heat mode is selected and when the heating setpoint is changed		Displayed when in the emergency heat mode
	5 seconds display when cool mode is selected and when the cooling setpoint is changed		Displayed when in the off mode
	5 second display when auto mode is selected		Displayed for 30 minutes when power is lost

DISPLAY



1 (One) YEAR LIMITED WARRANTY

NetworkThermostat™ warrants to the original purchaser that this product and its component parts will be free from defects in workmanship and materials for a period of one year from the date of purchase with proof of purchase.

Warranty Limitations

This warranty begins on the date of purchase.

Warranty is Void if:

- The date code is defaced or removed.
- The product has a defect or damage due to product alteration, connection to an improper electrical supply, shipping and handling, accident, fire, flood, lightning or other conditions beyond the control of the manufacturer.

1 (One) YEAR LIMITED WARRANTY, continued

- The product is not installed according to the manufacturers instructions and specifications.
- The product has been installed near sources of electromagnetic interference (EMI) such as arcing relay contacts.

Owner's Responsibility

- Provide proof of purchase.
- Provide normal care and maintenance.
- Pay for freight, labor and travel.
- Pay for service calls related to product installation.
- Return any defective product.
- In no event shall the manufacturer be liable for incidental or consequential damages.

This warranty gives you specific legal rights and you may have others which vary by state and/or province. For example, some states and/or provinces do not allow the exclusion or limitation of incidental or consequential damages, so this exclusion may not apply to you.

The manufacturer's continuing commitment to quality products may require a change in specifications without notice.

Net/X™ UP32 Programmable Thermostat meets CA Title 24 requirements.

This equipment, if installed in strict accordance with the manufacturer's instructions, complies with the limits for a Class B computing device pursuant to Subpart J of Part 15 of FCC rules.

FCC Regulatory Information

This equipment has been tested and found to comply with the limits for a Class B digital device, pursuant to part 15 of the FCC rules. These limits are designed to provide reasonable protection against harmful interference in a residential installation. This equipment generates, uses and can radiate radio frequency energy and, if not installed and used in accordance with the instructions, may cause harmful interference to radio communications. However, there is no guarantee that interference will not occur in a particular installation. If this equipment does cause harmful interference to radio or television reception, which can be determined by turning the equipment off and on, the user is encouraged to try to correct the interference by one or more of the following measures:

- Reorient or relocate the receiving antenna.
- Increase the separation between the equipment and receiver.
- Connect the equipment into an outlet on a circuit different from that to which the receiver is connected.